



Overview

The SMIMS VeriEnterprise® is a PC-based high-speed FPGA platform. It is suitable for a complete ASIC logic emulation, prototyping verification and IP development. The VeriEnterprise® with SMIMS® powerful Software -- VeriComm® Pro and software developer's kit (SDK) offers the incredible performance and time-to-market improvement. Users can import the input signals easily from PC into the user-designed circuit on the FPGA of VeriEnterprise and export the output signals to PC for observation. Almost all PC peripheral devices become user-designed circuit's I/Os and no real hardwired I/O device is needed for early-stage verification. With the help of USB 2.0 transmission, VeriEnterprise can be integrated with PC to become a hardware-software co-design/co-simulation/co-verification environment.

The SMIMS SDK including C/C++ development API (SDK) provides users with the resources to develop software programs for the interfacing control between the user-designed circuit (on the FPGA of SMIMS platform) and the software I/O application programs (on the PC).

SMIMS Verilink® for Matlab® (optional) brings the FPGA hardware platform to the heart of the acclaimed Matlab® technical environment.

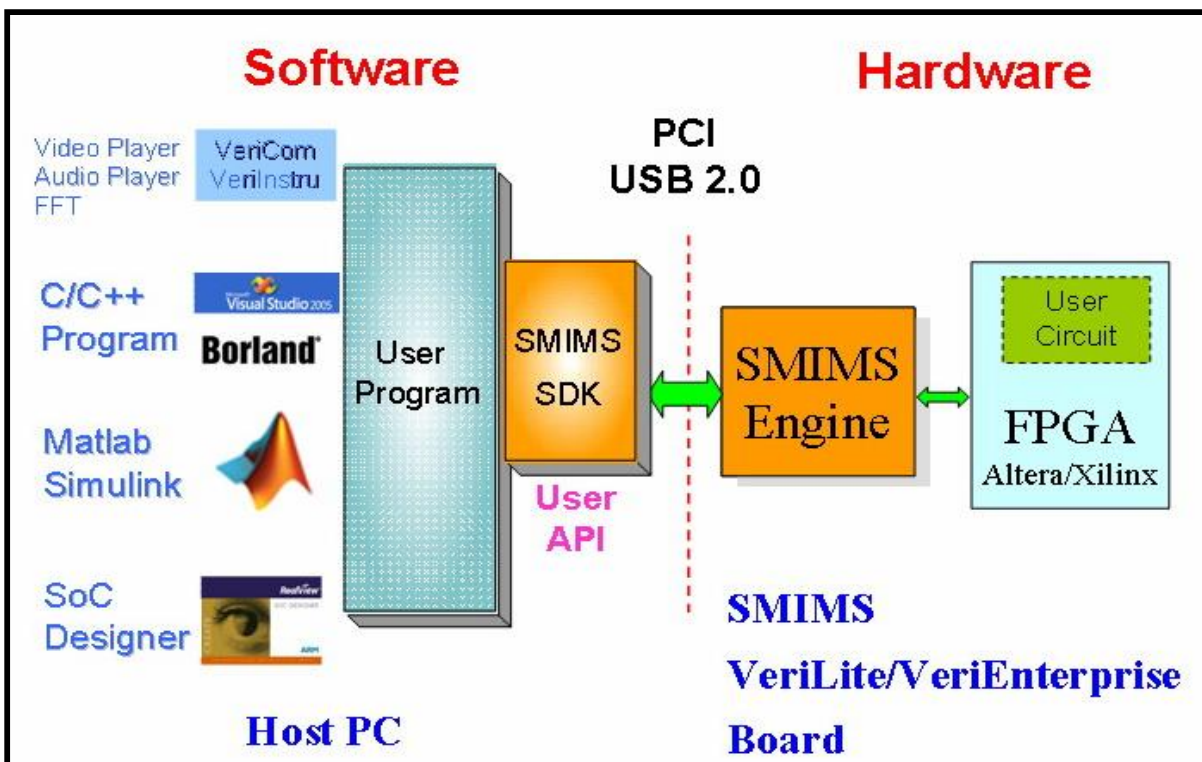
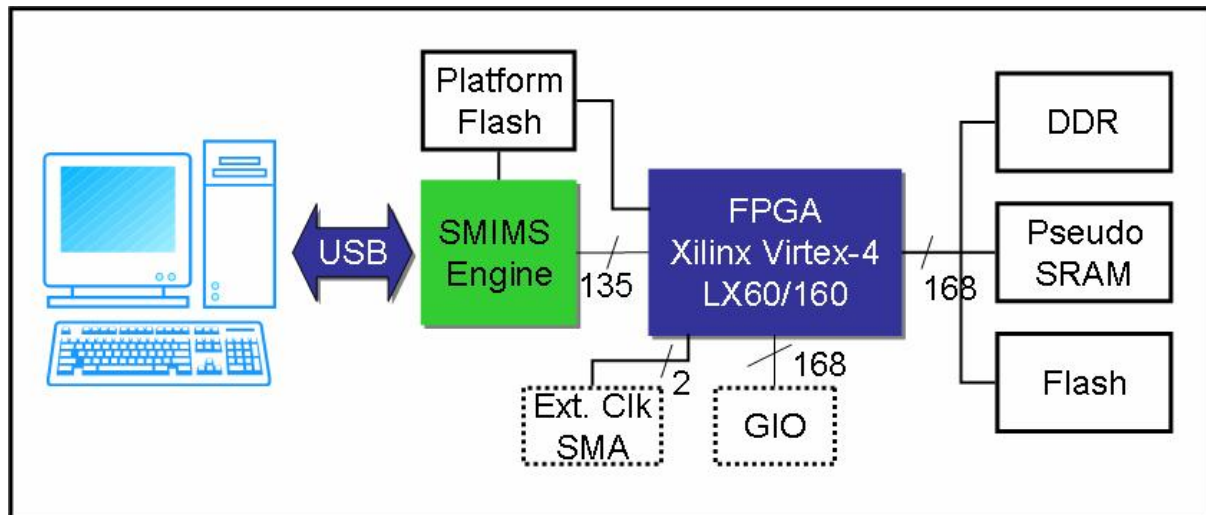
Key Features

- ü On-board Xilinx Virtex-4 60/160 FPGA (User FPGA)
- ü USB 2.0 interface for data transfer
- ü On-board 128Mb DDR
- ü On-board 16Mb Flash
- ü On-board 16Mb Pseudo SRAMs -- 2 independent banks
- ü Up to 168 additional available I/Os.
- ü Two External Clock SMA Connector
- ü Flash and USB Download
- ü Single 5V voltage input
- ü Up to 211 Mbps data transfer rate between FPGA and PC

Benefits

- ü HDL Simulation Acceleration
- ü FPGA Prototyping
- ü IP Verification
- ü HW/SW Co-verification/Co-design

Block Diagram



Contact us for more information:
Taiwan

Phone: 886-2-23700590

Phone: 886-6-2381237

Email: sales@smims.com

Visit our web site :

SMIMS and the SMIMS logo are registered trademark of SMIMS Technology Corp. All other products or services mentioned herein are trademarks of their respective holders and should be treated as such.

SMIMS has made lots of effort to ensure that the information contained in this data sheet is accurate. However, we accept no responsibility for any errors of omissions, and we reserve the right to modify design, characteristics and products at any time with obligation.