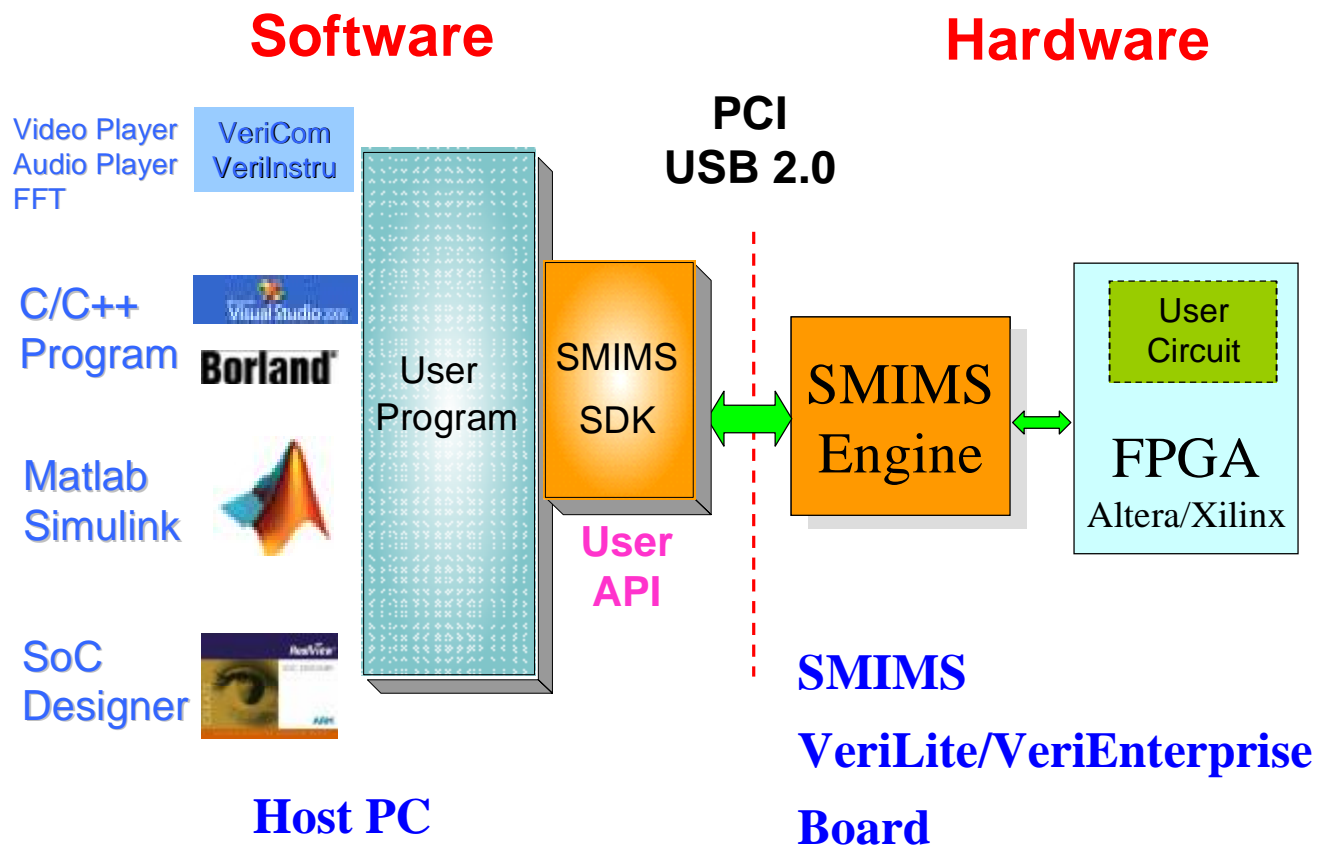


SMIMS FPGA Development Platform

FPGA-Based ESL Development Environment (Hardware/Software Co-design)

A fast and intuitive bridge between software and hardware engineers.

Easy to speed up your system through hardwired blocks with SMIMS FPGA solutions.

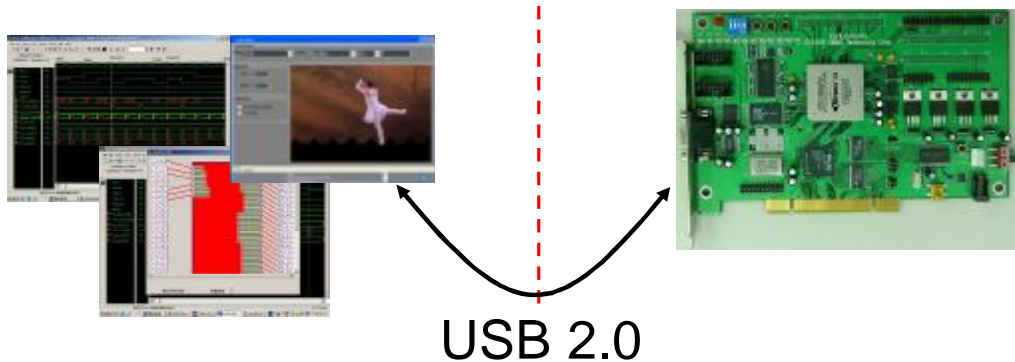


All PC peripheral devices become I/Os of your circuit.

All PC software blocks can co-work with your circuit.

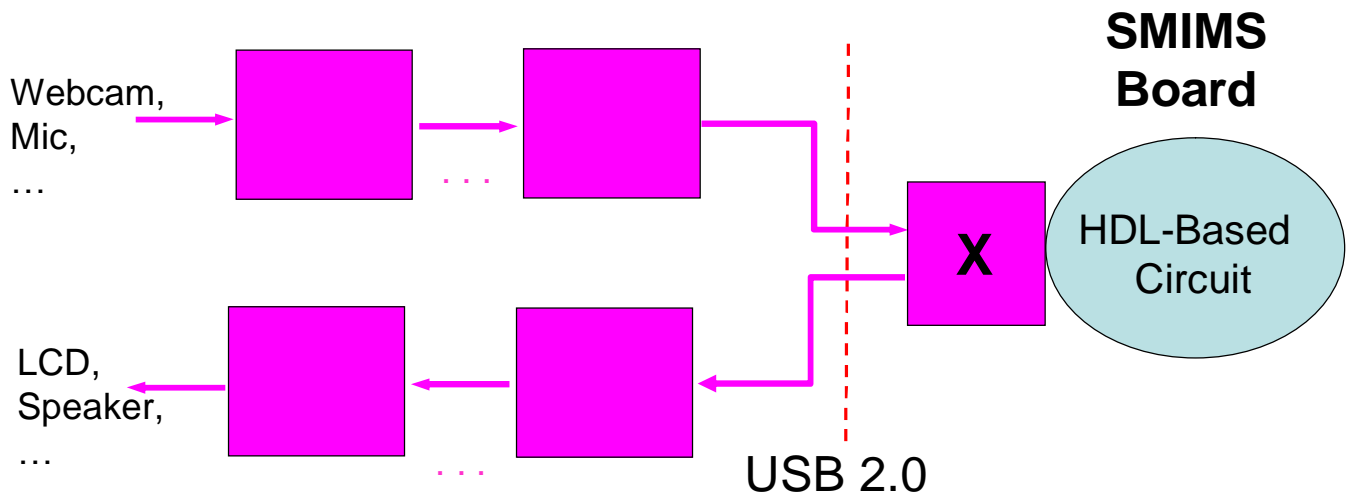
SMIMS FPGA Development Platform

PC-Based FPGA Development Environment (hardware/software co-design)



Any block, designed with C/C++/System C, MATLAB Simulink, or RealView Soc Designer, can be replaced with HDL-based circuit on SIMIMS FPGA solutions.

C, Simulink, Soc-Designer blocks



Contact us for more information:

Taiwan

Tel : 886-2-23700590

Tel : 886-6-2381238

Email: sales@smims.com

Visit our website

www.SMIMS.com